

1. PRODUCT

281 ML, 9.5 FL. OZ. GLASS STARBUCK COFFEE - 2.44 SQUARE x 6.09 Long

2. PRODUCT CAPACITY

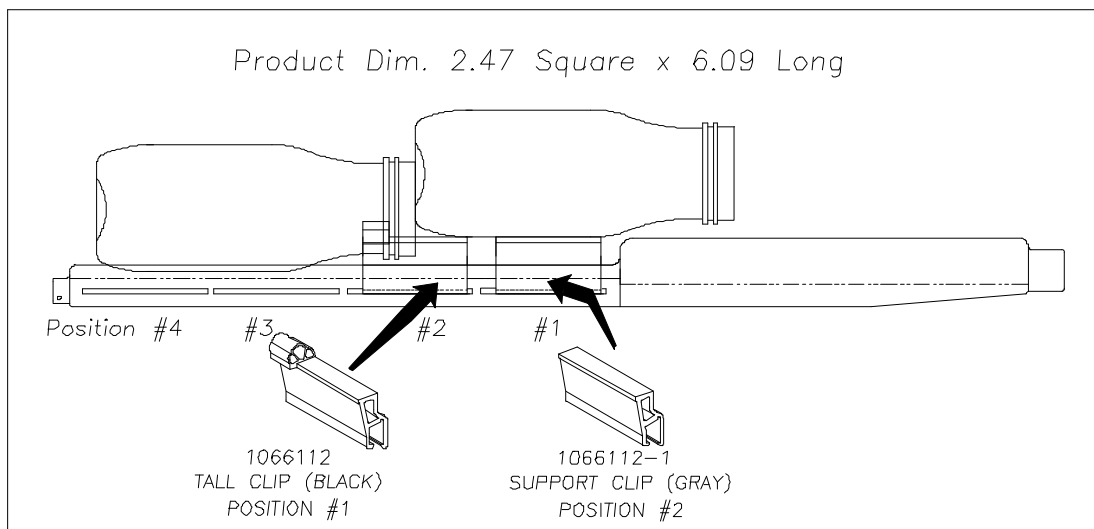
30 PER COLUMN - 72", 36 PER COLUMN - 79"

3. SET UP GUIDE UNIVENDOR-2

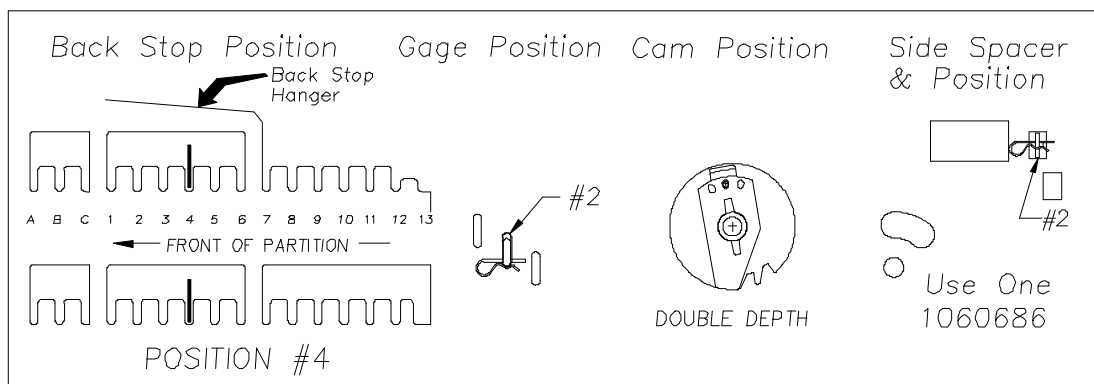
Product	CAM POSITION	BACK SPACER	GAGE BAR	Sold out Lever	Side Spacer	Alignment Spacer	GAGE BAR CLIP	
							Part No.	Position
281 ML Starbucks	2	4	2	389242 SHORT	1060686	1080317	1066112	1
							1066112-1	2

Note: To properly vend 281ML Starbucks. The Uni-2 must have the columns setup correctly.

4. GAGE BAR CLIP SET UP.



5. SET UP GUIDE.



6. SOLD-OUT LEVER TO BE SHORT STYLE NEW FRONT SPACER #1077457. SPRING TO BE LOCATED ON THE RIGHT SIDE (LOW PRESSURE SETTING).