

1. PRODUCT

600ML AQUAFINA PET 12 SWIRL TOP - 2.85 Top x 2.87 Btm x 8.63 Long

2. PRODUCT CAPACITY

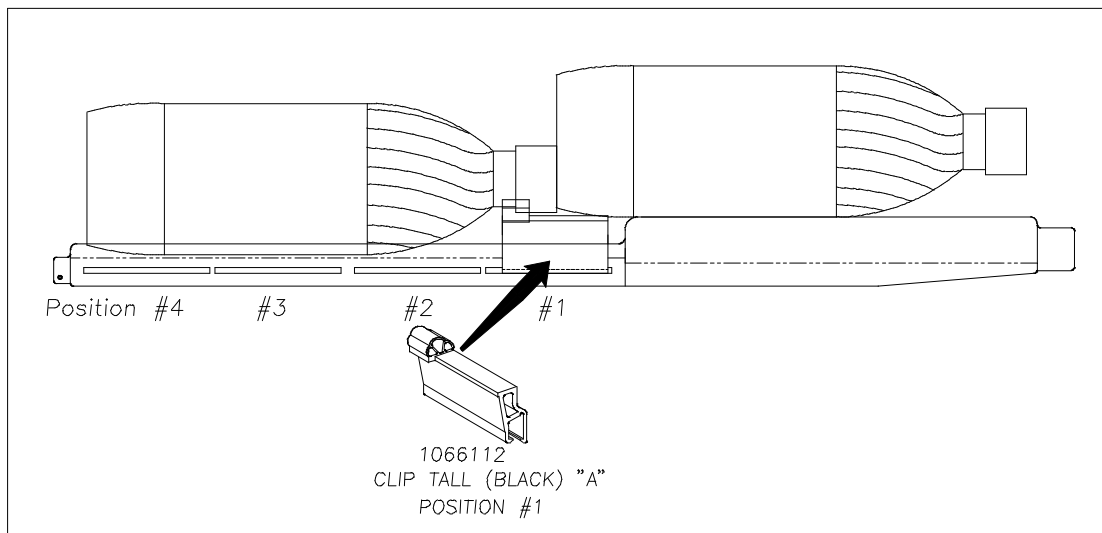
28 PER COLUMN - 72", 34 PER COLUMN - 79"

3. SET UP GUIDE UNIVENDOR-2

Product	CAM	BACK	GAGE	Sold out	SIDE	GAGE BAR CLIP		BOTTLE
	POSITION	SPACER	BAR		SHIM	Part No.	Position	
600ml Aquafina	2	12	1	389242 SHORT	1074465 TWO	1066112	1	1120694

Note: To properly vend Aquafina. The Univendor-2 must have the columns setup correctly.

4. GAGE BAR CLIP SET UP.



5. SET UP GUIDE.

Back Spacer Position	Gage Bar Position	Cam Position	Side Shim & Position

6. Bottle Guide Position Set-Up: (requires kit #1120694)

Right Hand Partition set wire guide in C position, Left Hand Partition set wire guide in B position.

7. SOLD-OUT LEVER TO BE SHORT STYLE WITH NEW FRONT SPACER #1077457: Spring to be located on the right side (low pressure setting).

8. FOR OTHER PRODUCT SET UP GUIDES CONTACT VENDO COMPANY.

TEL: (559) 439-1770 FAX: (559) 439-2083.