

1. PRODUCT

500 ML, 1 PT.9 OZ. EVIAN CACHAT WATER STRAIGHT WALL PET BOTTLE - 2.39 Top x 2.41 Btm x 8.82 Long

2. PRODUCT CAPACITY

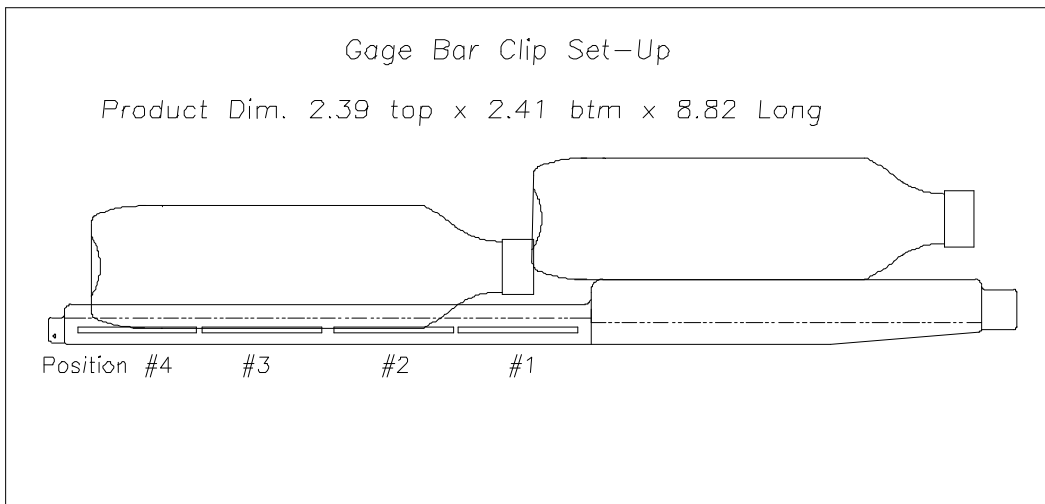
34 PER COLUMN - 72", 42 PER COLUMN - 79"

3. SET UP GUIDE UNIVENDOR-2

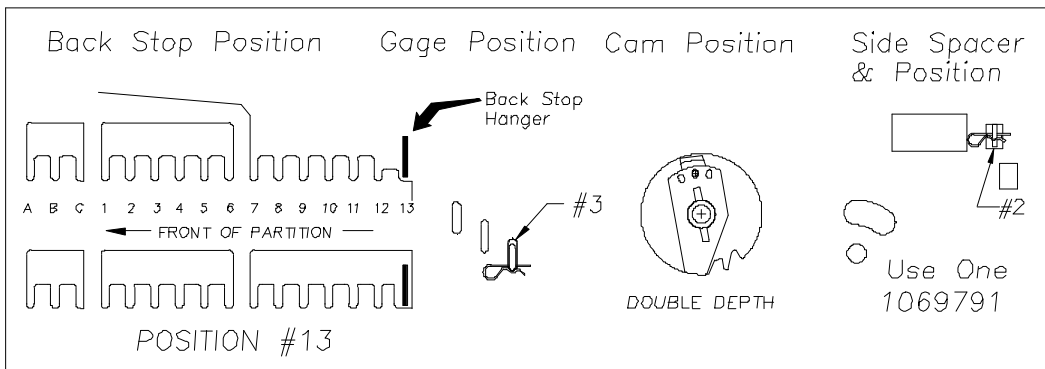
Product	CAM POSITION	BACK SPACER	GAGE BAR	Sold out Lever	SIDE SPACER	GAGE BAR CLIP	
						Part No.	Position
500 ML EVIAN SW	2	13	3	389242 SHORT	1069791	NONE	0

Note: To properly vend 500ML. EVIAN. The Univendor-2 must have the columns setup correctly.

4. GAGE BAR CLIP SET UP.



5. SET UP GUIDE.



6. SOLD-OUT LEVER TO BE SHORT STYLE WITH FRONT SPACER. SPRING TO BE LOCATED ON THE RIGHT SIDE (LOW PRESSURE SETTING).