

# CRYSTAL SPRINGS/DANNON WATER 500 ML "WAVE" PET BOTTLE



**1. PRODUCT**

Rev. 7/30/98

500 ML, 1 PT.9 OZ. CRYSTAL SPRINGS/DANNON - WATER "WAVE" PET BTL - 2.50 x 8.40 Long

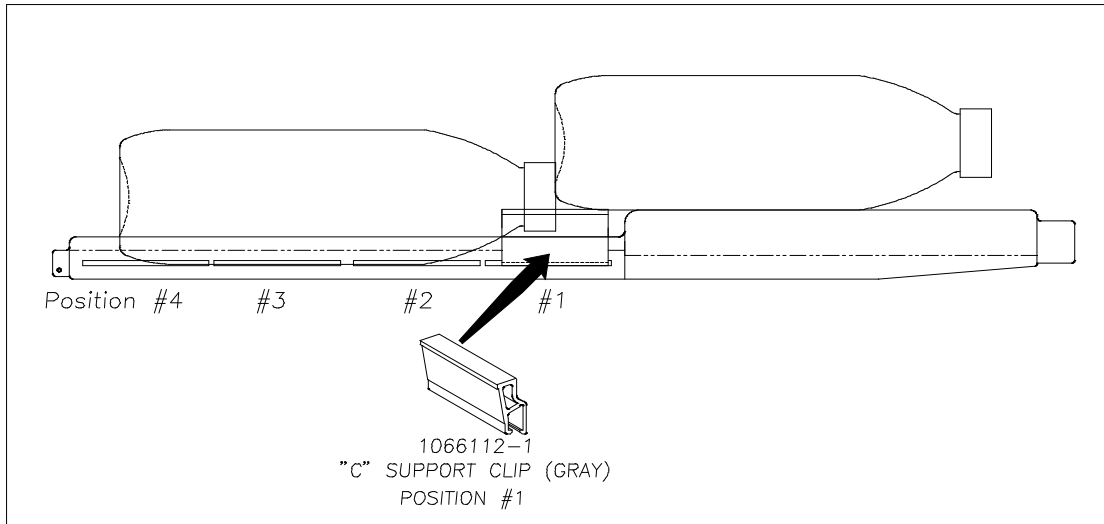
**2. PRODUCT CAPACITY**

34 PER COLUMN - 72", 42 PER COLUMN - 79"

**3. SET UP GUIDE UNIVENDOR-2**

Product	CAM POSITION	BACK SPACER	GAGE BAR	Sold out Lever	SIDE SPACER	GAGE BAR CLIP	
						Part No.	Position
500 ML Water	2	12	2	1083449 SHORT	1069791	1066112-1	1

**4. GAGE BAR CLIP SET UP.**



**5. SET UP GUIDE.**

<p>Back Stop Position</p> <p>POSITION #12</p>	<p>Gage Position</p> <p>#2</p>	<p>Cam Position</p> <p>DOUBLE DEPTH</p>	<p>Side Spacer &amp; Position</p> <p>Use One 1069791</p>
---	--------------------------------	---	--

**6. SOLD-OUT LEVER TO BE SHORT STYLE WITH FRONT SPACER #1077457. SPRING TO BE LOCATED ON THE RIGHT SIDE (LOW PRESSURE SETTING).**

**7. FOR OTHER PRODUCT SET UP GUIDES CONTACT VENDO COMPANY. TEL: (209) 439-1770 FAX: (209) 439-2083.**