

Vendo[®] Engineering Uni-2 Set Up Guide

Size: 500ml / 16.9oz

Rev. A Date 06/19/01

Pkg. Description/Type: DANNON WATER

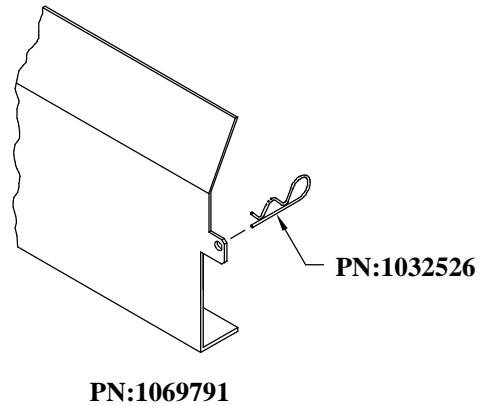
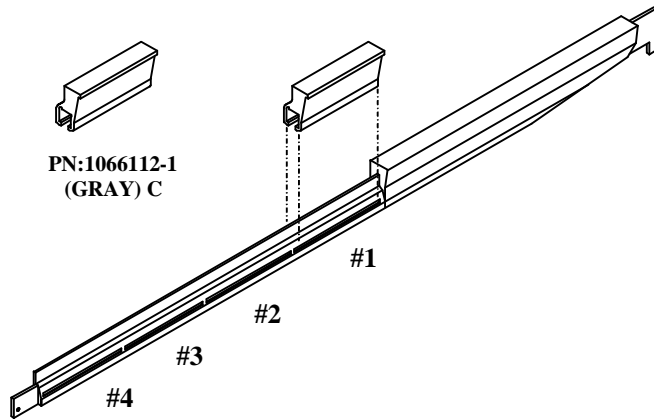
Franchise: DANNON

KIT#

Column Setup

Cam Setting	Back Spacer	Neck Guide Locations	Gage Bar Clip Location	Gage Bar Location	Side Spacer	Sold Out Flap	Sold Out Spacer
2	12	N/A	C/#1	#2	1069791 Loc. #2	Short* 1083449	1077457

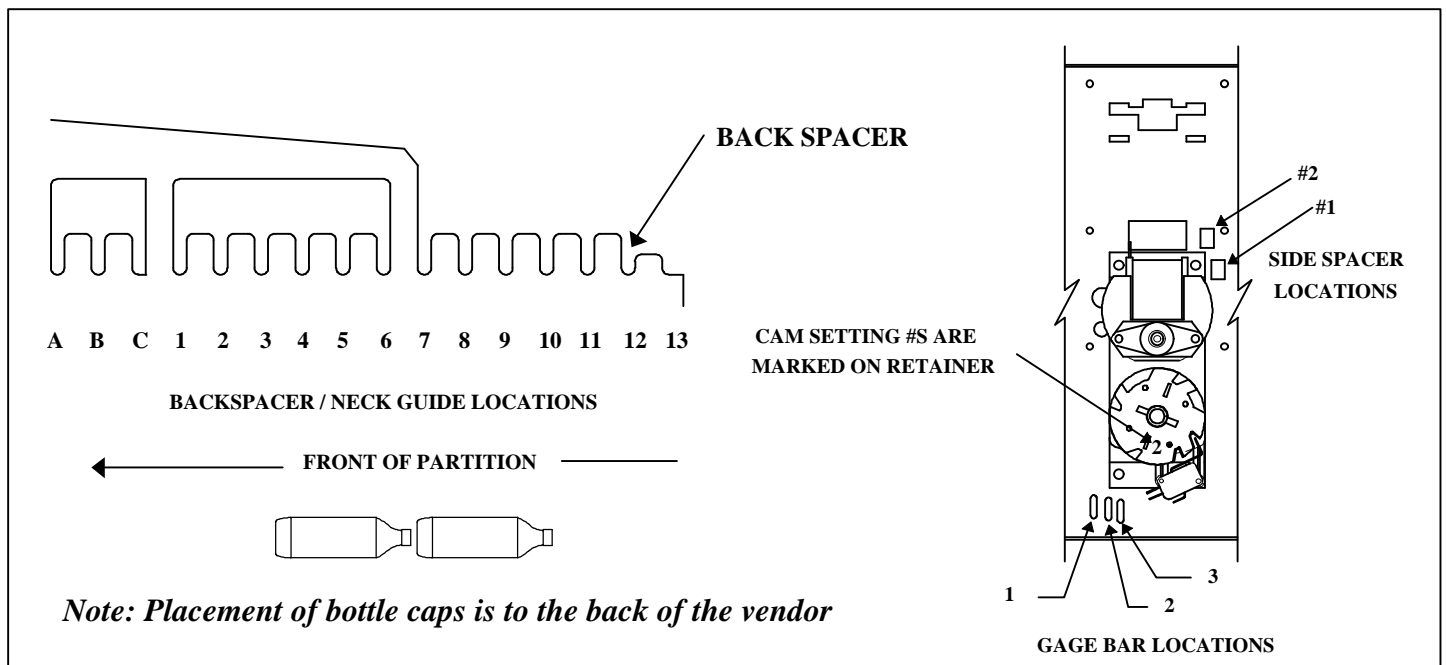
Note: To properly vend product the Uni-2 must have the columns set up as illustrated. *Spring Loc. Rt (Low Tension) side.



Gage Bar Clip Location

Shim/Spacer

Set Up Guide



FOR OTHER PRODUCT SET-UP GUIDES, CONTACT THE VENDO COMPANY
 TEL: (559) 439-1770 FAX: (559) 650-3455.

Installation Instruction #