

20 OZ. DASANI BOLT P.E.T. BOTTLE



UNIVENDOR-2 PRODUCT SET-UP GUIDE

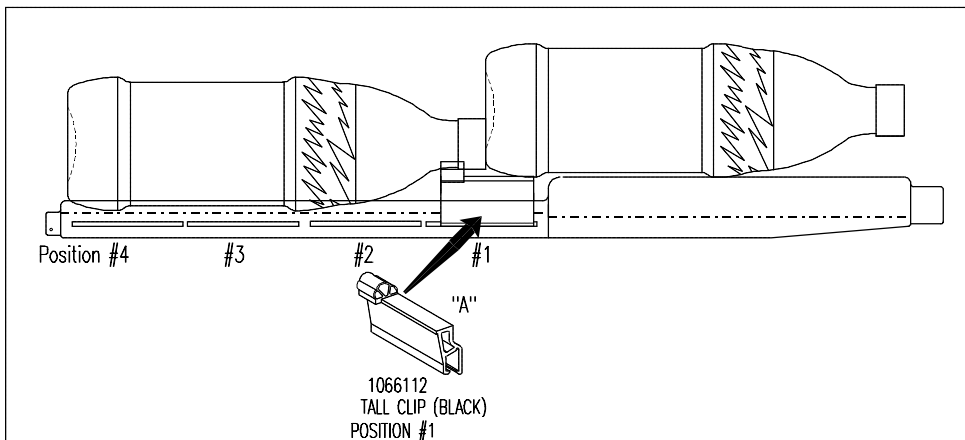
10/8/98

REV. B 10/9/98

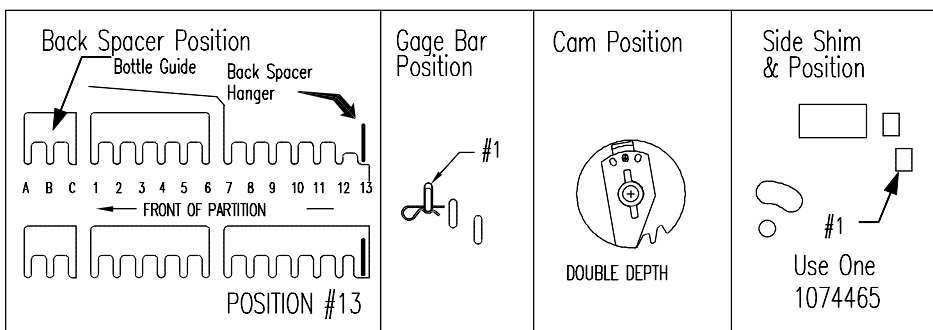
1. PRODUCT 2.88 top x 2.87 btm x 9.00 Long
2. PRODUCT CAPACITY 28 PER COLUMN - 72", 34 PER COLUMN - 79"
3. SET UP GUIDE

CAM POSITION	BACK SPACER	GAGE BAR	Sold out Lever	SIDE SHIM	GAGE BAR CLIP	
					Part No.	Position
2	13	1	389242 SHORT	1074465	1066112	1

4. GAGE BAR CLIP SET UP.



5. SET UP GUIDE.



6. **Bottle Guide Set-up:** (requires kit # 1088236) Right Hand Partition set in C position, Left Hand Partition set in B position.
7. **SOLD-OUT LEVER TO BE SHORT STYLE WITH FRONT SPACER PN 1077457.** Spring to be located on the right side, (low pressure setting).
8. **FOR OTHER PRODUCT SET UP GUIDES CONTACT THE VENDO COMPANY.**
TEL: (209) 439-1770 FAX: (209) 439-2083.