

Vendo[®] Engineering Uni-2 Set Up Guide

Size: 16oz / 473ml

Rev. B Date 02/28/01

Pkg. Description/Type: WELCH'S FRUIT JUICE GLASS

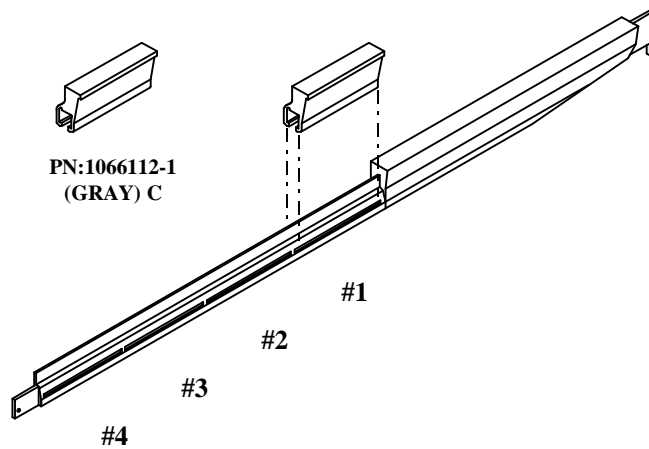
Franchise: WELCH'S

KIT#

Column Setup

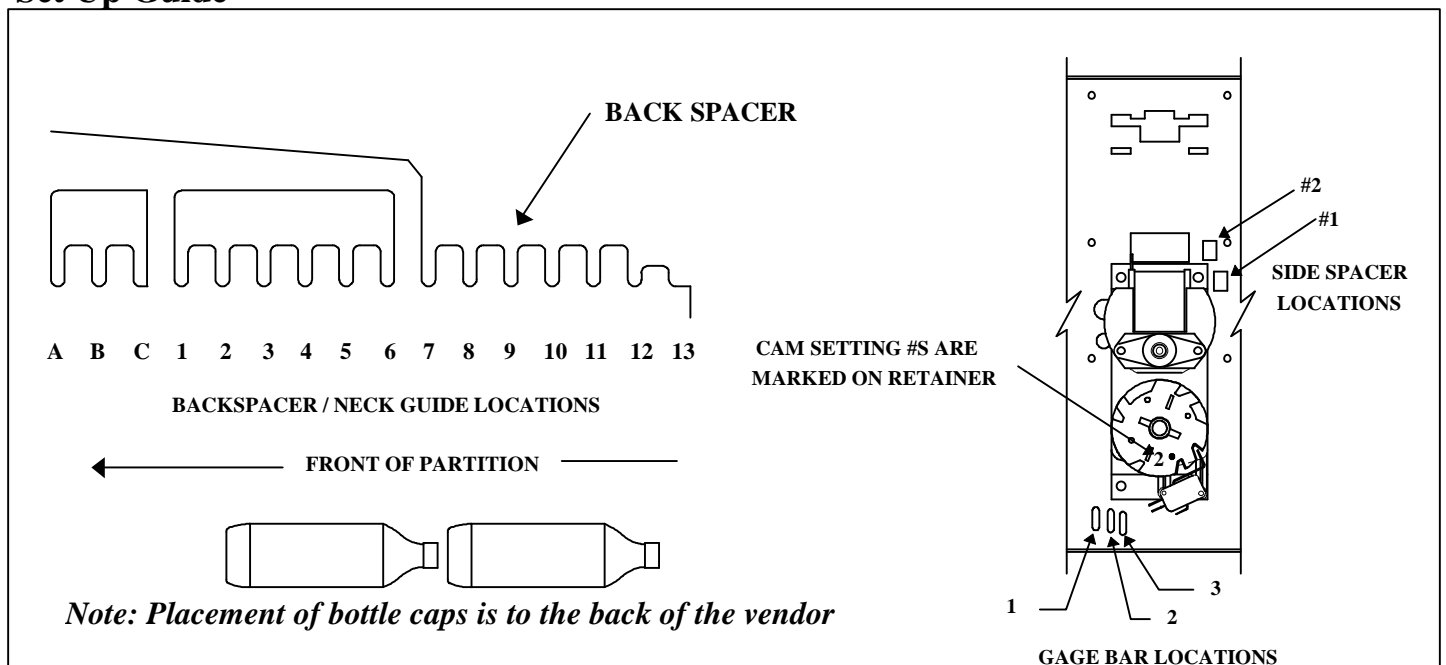
Cam Setting	Back Spacer	Neck Guide Locations	Gage Bar Clip Location	Gage Bar Location	Side Spacer	Sold Out Flap	Sold Out Spacer
2	7	N/A	C/#1	#1	NONE	1083449	1077457

Note: To properly vend 16 Oz. Glass, the Univendor-2 must have the columns setup correctly.



Gage Bar Clip Location Shim/Spacer

Set Up Guide



FOR OTHER PRODUCT SET-UP GUIDES, CONTACT THE VENDO COMPANY
 TEL: (559) 439-1770 FAX: (559) 439-2083.

Installation Instruction #