

1. PRODUCT

16 OZ. CRYSTAL LIGHT PET BOTTLE - 2.61 x 8.00 Long

2. PRODUCT CAPACITY

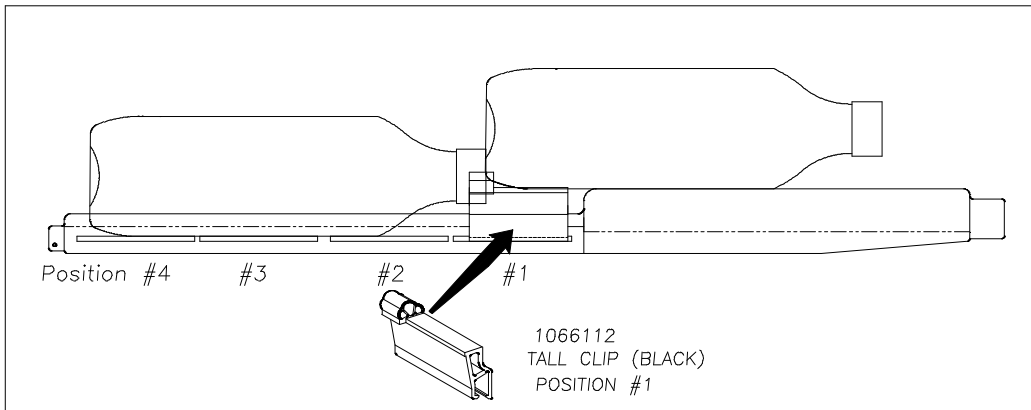
30 PER COLUMN - 72", 36 PER COLUMN - 79"

3. SET UP GUIDE UNIVENDOR-2

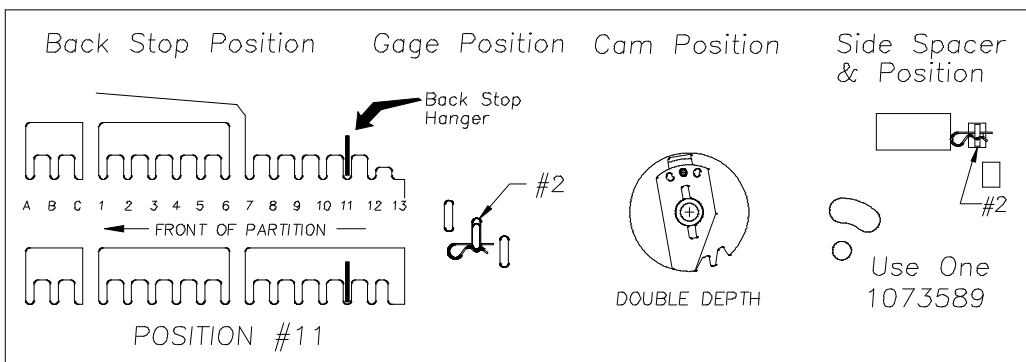
Product	CAM POSITION	BACK SPACER	GAGE BAR	Sold out Lever	SIDE SPACER	GAGE BAR CLIP	
						Part No.	Position
16 OZ Crystal L.	2	11	2	389242 SHORT	1073589	1066112	1

Note: To properly vend 16oz Crystal Light. The Univendor-2 must have the columns setup correctly.

4. GAGE BAR CLIP SET UP.



5. SET UP GUIDE.



6. SOLD-OUT LEVER TO BE SHORT STYLE WITH NEW FRONT SPACER #1077457. SPRING TO BE LOCATED ON THE RIGHT SIDE (LOW PRESSURE SETTING).

7. FOR OTHER PRODUCT SET UP GUIDES CONTACT THE VENDO COMPANY. TEL: (209) 439-1770 FAX: (209) 439-2083.