

Vendo[®] Engineering Uni-2 Set Up Guide

Size: 16.9oz / 500ml

Rev. A Date

12/05/00

Pkg. Description/Type: MONTCLAIR WATER

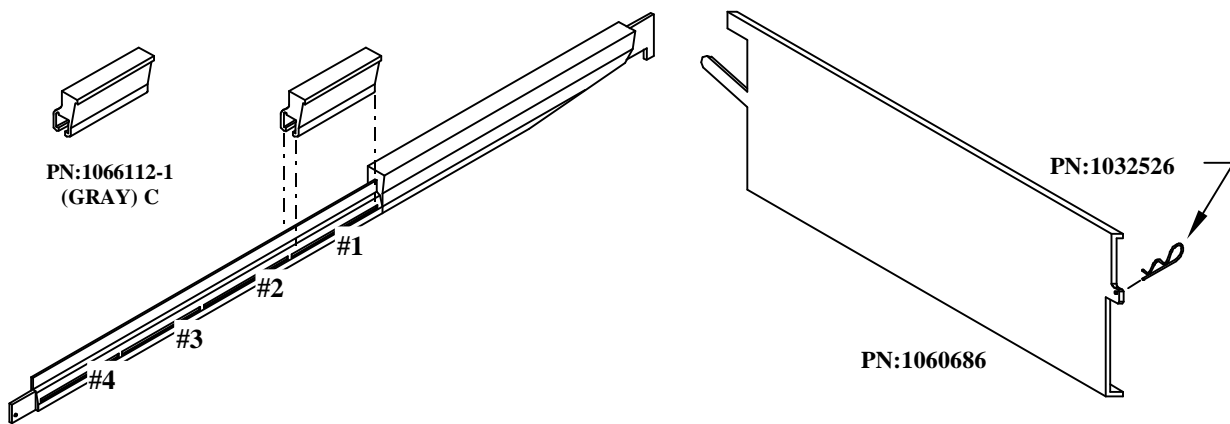
Franchise: PERRIER GROUP OF CANADA

KIT#

Column Setup

Cam Setting	Back Spacer	Neck Guide Locations	Gage Bar Clip Location	Gage Bar Location	Side Spacer	Sold Out Flap	Sold Out Spacer
2	10	N/A	C/#1	#2	1060686 Loc. #2	Short* 1083449	1077457

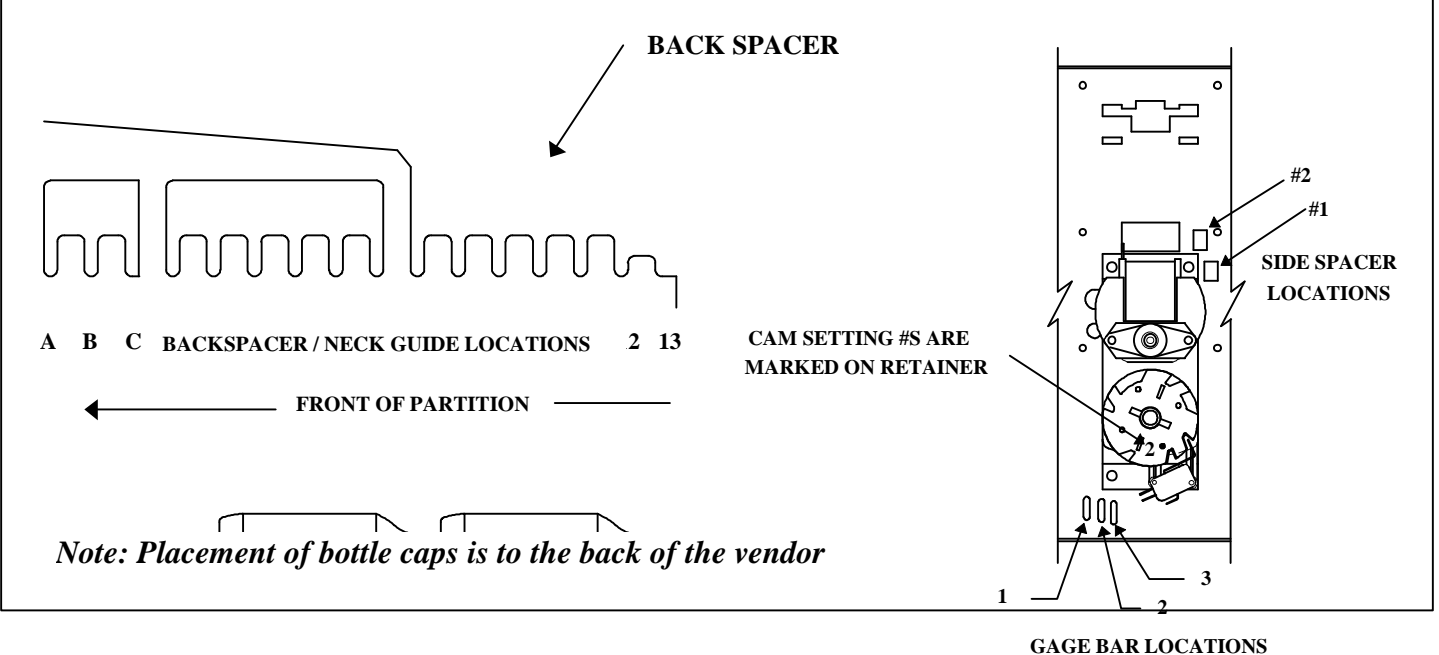
Note: To properly vend product the Uni-2 must have the columns set up as illustrated. *Spring Loc. Rt (Low Tension) side.



Gage Bar Clip Location

Shim/Spacer

Set Up Guide



**FOR OTHER PRODUCT SET-UP GUIDES, CONTACT THE VENDO COMPANY
TEL: (559) 439-1770 FAX: (559) 650-3455.**