

1. PRODUCT

500ML, 16.9 OZ. COLE BROTHERS - MINERAL WATER PET BOTTLE - 2.60 x 7.90 Long

2. PRODUCT CAPACITY

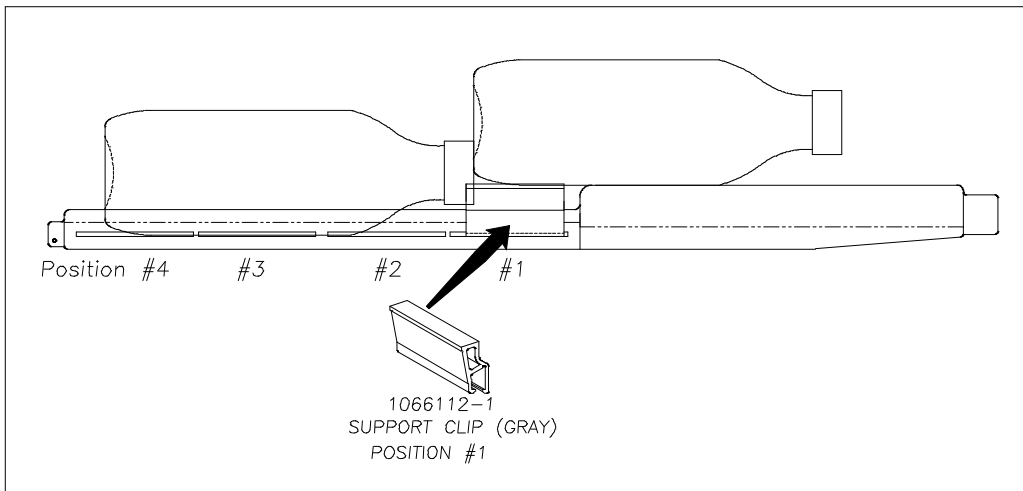
30 PER COLUMN - 72"

3. SET UP GUIDE UNIVENDOR-2

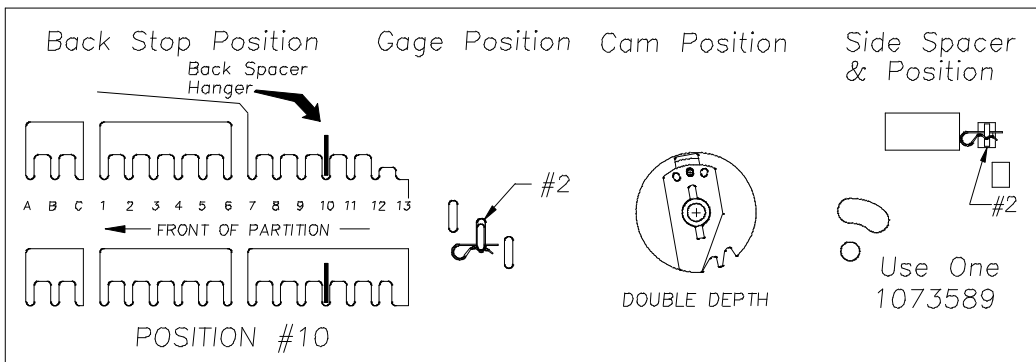
Product	CAM POSITION	BACK SPACER	GAGE BAR	Sold out Lever	SIDE SPACER	GAGE BAR CLIP	
						Part No.	Position
16.9oz Cole Bros.	2	10	2	389242 SHORT	1073589	1066112-1	1

Note: To properly vend Cole Bros. 16.9oz. The Univendor-2 must have the columns setup correctly.

4. GAGE BAR CLIP SET UP.



5. SET UP GUIDE.



6. SOLD-OUT LEVER TO BE SHORT STYLE WITH NEW FRONT SPACER #1077457. SPRING TO BE LOCATED ON THE RIGHT SIDE (LOW PRESSURE SETTING).

7. FOR OTHER PRODUCT SET UP GUIDES CONTACT VENDO COMPANY. TEL: (559) 439-1770 FAX: (559) 439-2083.